

HELIX-X-SCREEN Verosol Cassette

Cord Tension System

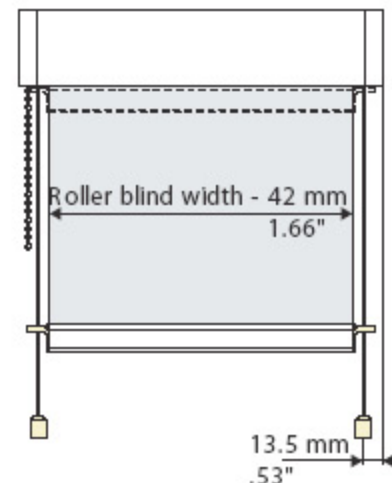
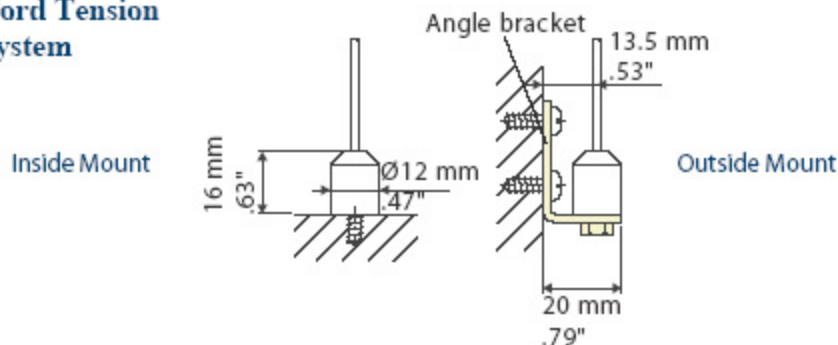
The cord tension system is available as an equipment option for incline windows and doors. It is available in single as well as twin roller blinds.

The hanging of the roller blind is guided between two cords running parallel to the wing of the window - also when the window is in the inclined position (max. angle of inclination 15 degrees). The cord is invisibly mounted in the cord guiding groove of the cassette profile. The cord runs through end pieces on the closing profile of the hanging which guarantees reliable guiding.

Material (cord): Standard = steel, plastic-coated, transparent or white (dia. 1.4 mm) or nylon, transparent (dia. 2 mm).

Accessories: Angle bracket for cord fixing (galvanized), block holder for cord fixing.

Cord Tension System



Side Channels

The side channel - one-piece is available as an equipment option. The closing channel of the system (on request with tight brushes) runs in the side channel. The fabric extends into the side channel on both sides. In this way the light gap at the side is covered in the optimum manner.

Colour (profile): Matches the cassette colour

Dimensions: Cross-section = 30 x 19 mm / length = max. 3.00 m.

Accessories: Moulding for closing channel with tight brushes, tight brushes for closing channel of the hanging.

Mounting: The channel is mounted on the wing of the window, on the frame, on the wall or in the window jamb.

Note: If mounted in the window jamb, measure the reveal at several points to determine the exact dimensions. The cassette and the side channel must be mounted parallel and perpendicular.

